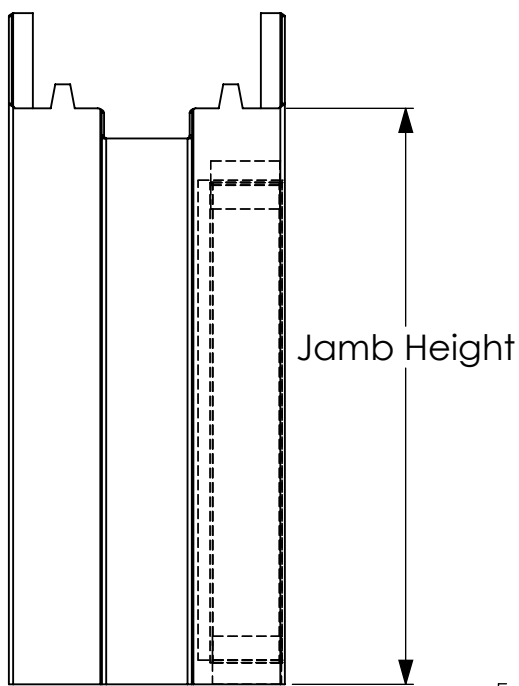
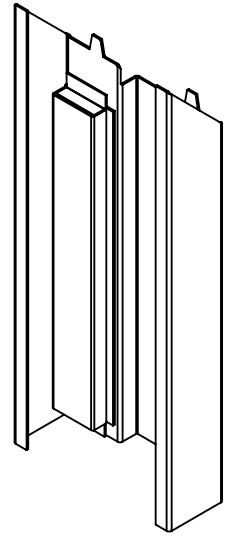
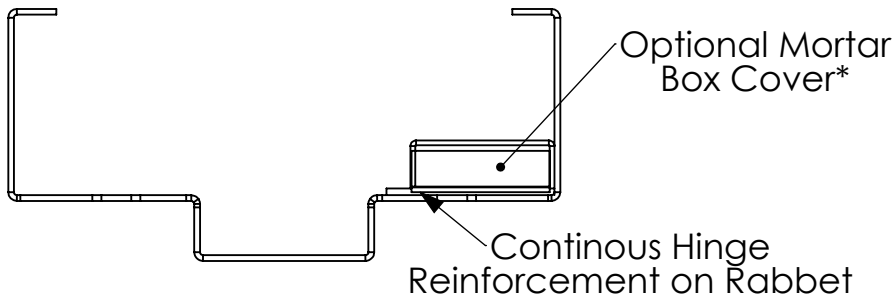
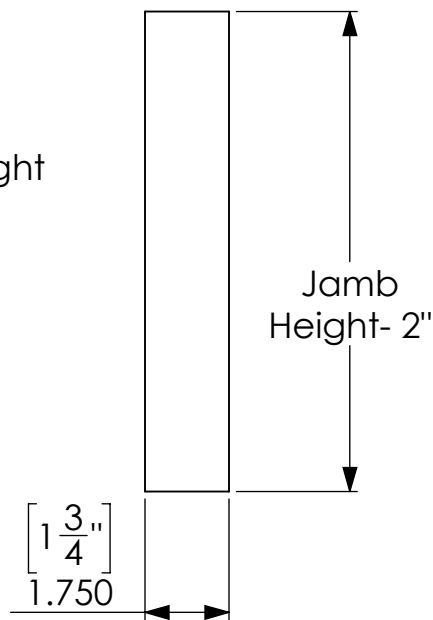


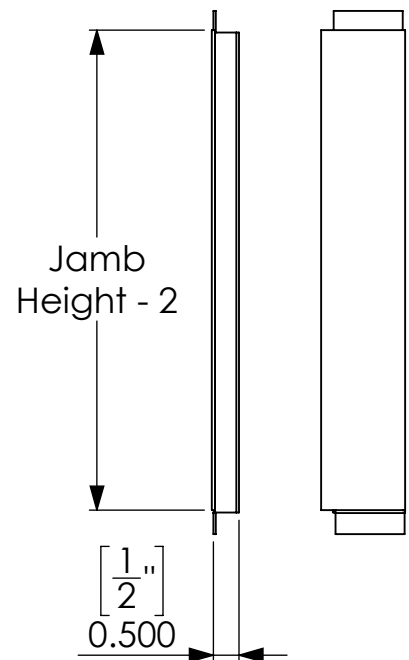
## Continuous Hinge Reinforcement on Rabbet (Full mortise shown)



Continuous Hinge Reinforcement  
14 Gauge



Optional Mortar cover  
22 Gauge\*



\*Mortar box cover for EOC or "T" anchors in frame, and/or lead lined frames